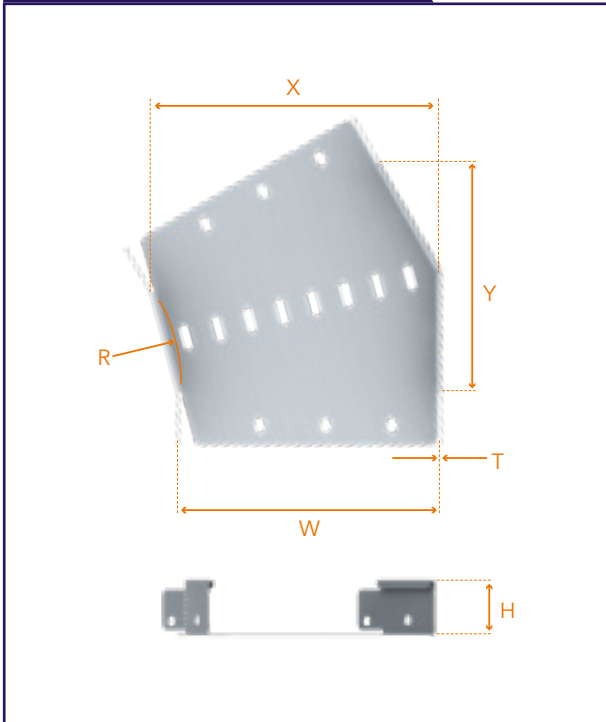


CABLE TRAY SYSTEM

Heavy Duty Return Flange 30° Flat Bend

Fitting Type: HR-FB30



Part Number	Width W mm	T mm	R mm	X mm	Y mm	Weight (kg)
HR-FB30-50-75R-○	50	0.9	75	61	63	0.12
HR-FB30-75-75R-○	75			86	75	0.16
HR-FB30-100-75R-○	100			111	88	0.19
HR-FB30-150-75R-○	150	1.2	150	161	113	0.27
HR-FB30-200-150R-○	200			221	175	0.61
HR-FB30-225-150R-○	225			246	188	0.67
HR-FB30-300-150R-○	300			321	225	0.92

Gauge & weights are given for the hot dip galvanised mild steel cable tray, with a nominal standard sidewall height of 50mm. Refer to the Engineering Data Section (Page 227) for other materials and gauges.

○ = Select a Finish & Material

Finishes & Materials:



Supplied with:

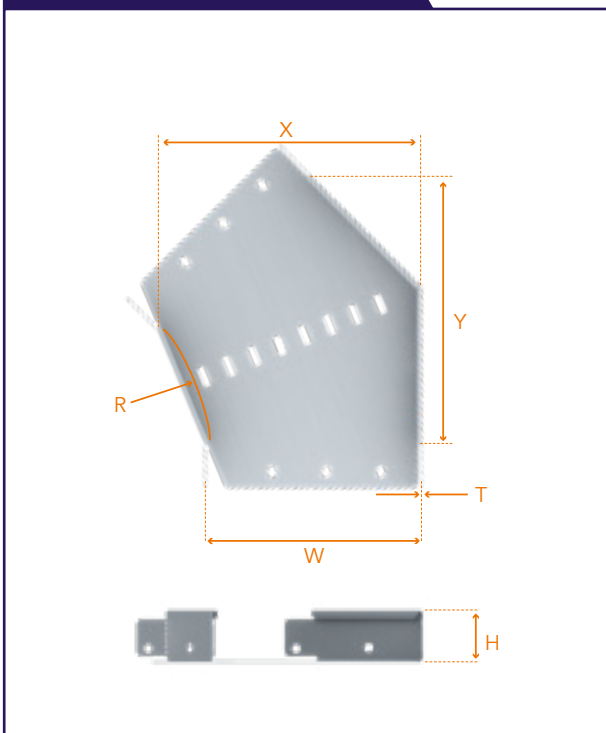
SEE ENGINEERING DATA FOR NUMBER OF FIXINGS

Not Required:



Heavy Duty 45° Flat Bend

Fitting Type: HR-FB45



Part Number	Width W mm	T mm	R mm	X mm	Y mm	Weight kg
HR-FB45-50-75R-○	50	0.9	75	72	89	0.16
HR-FB45-75-75R-○	75			97	107	0.2
HR-FB45-100-75R-○	100			122	124	0.25
HR-FB45-150-75R-○	150	1.2	150	172	160	0.35
HR-FB45-200-150R-○	200			224	248	0.83
HR-FB45-225-150R-○	225			269	266	0.94
HR-FB45-300-150R-○	300			344	319	1.29

Gauge & weights are given for the hot dip galvanised mild steel cable tray, with a nominal standard sidewall height of 50mm. Refer to the Engineering Data Section (Page 227) for other materials and gauges.

○ = Select a Finish & Material

Finishes & Materials:



Supplied with:

SEE ENGINEERING DATA FOR NUMBER OF FIXINGS

Not Required:

