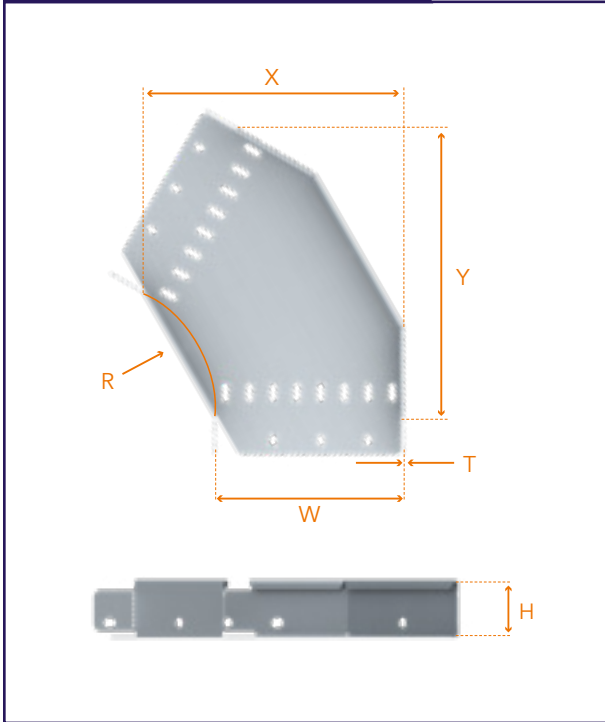


Heavy Duty 60° Flat Bend

Fitting Type: HR-FB60



Part Number	Width W mm	T mm	R mm	X mm	Y mm	Weight (kg)
HR-FB60-50-75R-○	50	0.9	75	88	109	0.18
HR-FB60-75-75R-○	75			113	130	0.24
HR-FB60-100-75R-○	100			138	152	0.29
HR-FB60-150-75R-○	150	1.2	150	188	195	0.42
HR-FB60-200-150R-○	200			275	304	1.02
HR-FB60-225-150R-○	225			300	325	1.13
HR-FB60-300-150R-○	300			375	390	1.56

Gauge & weights are given for the hot dip galvanised mild steel cable tray, with a nominal standard sidewall height of 50mm. Refer to the Engineering Data Section (Page 227) for other materials and gauges.

○ = Select a Finish & Material

Finishes & Materials:



Supplied with:

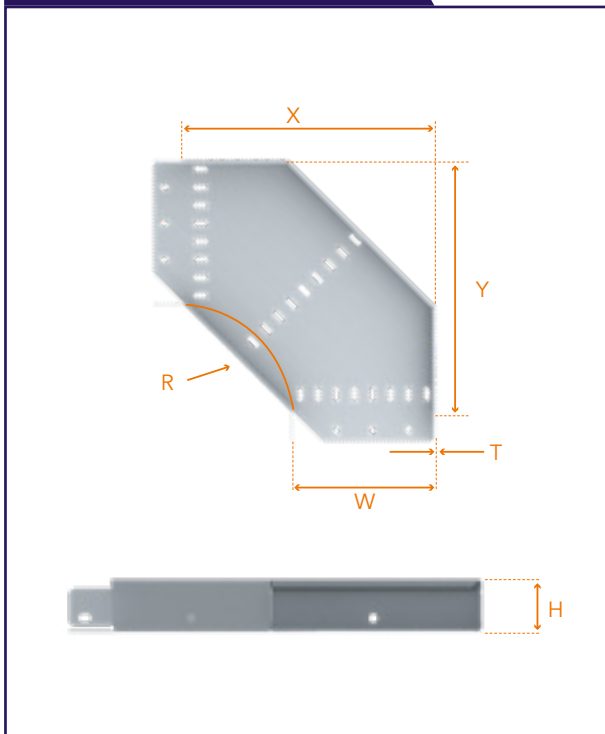
SEE ENGINEERING DATA FOR NUMBER OF FIXINGS

Not Required:



Heavy Duty 90° Flat Bend

Fitting Type: HR-FB90



Part Number	Width W mm	T mm	R mm	X mm	Y mm	Weight kg
HR-FB90-50-75R-○	50	0.9	75	125	125	0.25
HR-FB90-75-75R-○	75			150	150	0.32
HR-FB90-100-75R-○	100			175	175	0.41
HR-FB90-150-75R-○	150	1.2	150	225	225	0.59
HR-FB90-200-150R-○	200			350	350	1.5
HR-FB90-225-150R-○	225			375	375	1.69
HR-FB90-300-150R-○	300			450	450	2.32

Gauge & weights are given for the hot dip galvanised mild steel cable tray, with a nominal standard sidewall height of 50mm. Refer to the Engineering Data Section (Page 227) for other materials and gauges.

○ = Select a Finish & Material

Finishes & Materials:



Supplied with:

SEE ENGINEERING DATA FOR NUMBER OF FIXINGS

Not Required:

