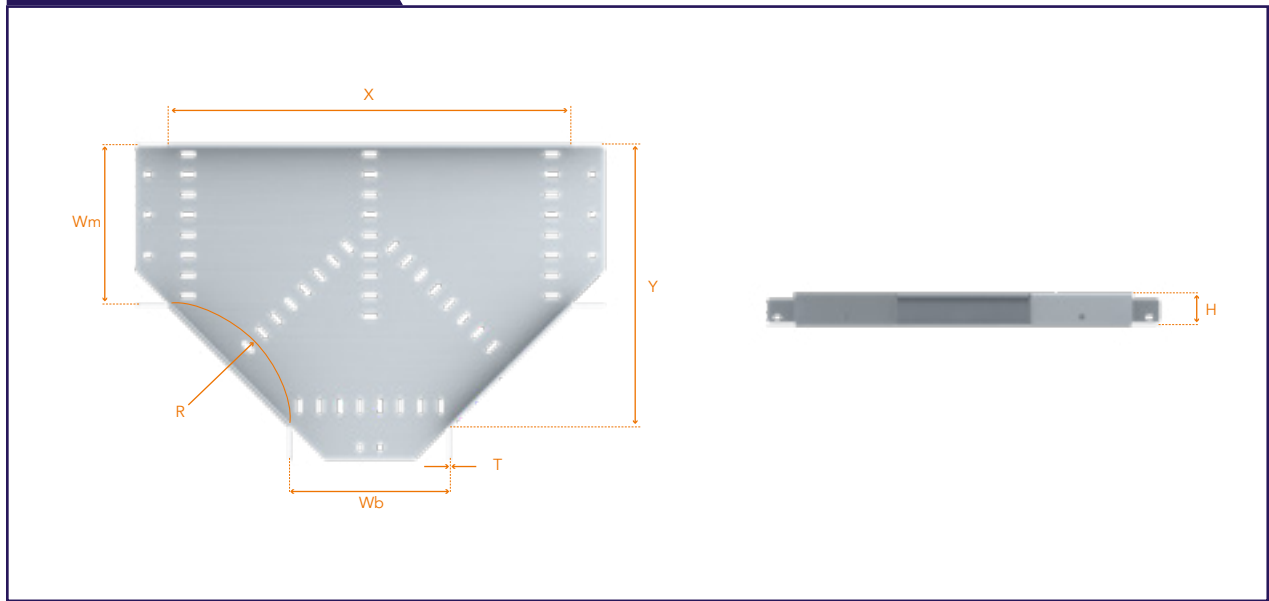


Heavy Duty Equal Tees

Vantrunk Heavy Duty Return Flange cable tray equal tees have a main width W_m and a branch width W_b which are identical.

Fitting Type: HR-ET



Part Number	Main Width W_m mm	Branch Width W_b mm	T mm	R mm	X mm	Y mm	Weight (kg)
HR-ET-50-75R-○	50	50	0.9	75	204	128	0.37
HR-ET-75-75R-○	75	75			229	153	0.47
HR-ET-100-75R-○	100	100			254	178	0.58
HR-ET-150-75R-○	150	150			304	228	0.8
HR-ET-200-150R-○	200	200	1.2	150	504	353	2.26
HR-ET-225-150R-○	225	225			529	378	2.51
HR-ET-300-150R-○	300	300			604	453	3.36

Gauge & weights are given for the hot dip galvanised mild steel cable tray, with a nominal standard sidewall height of 50mm. Refer to the Engineering Data Section (Page 227) for other materials and gauges.

Finishes & Materials:



Supplied with:

SEE ENGINEERING DATA FOR NUMBER OF FIXINGS

Not Required:



○ = Select a Finish & Material