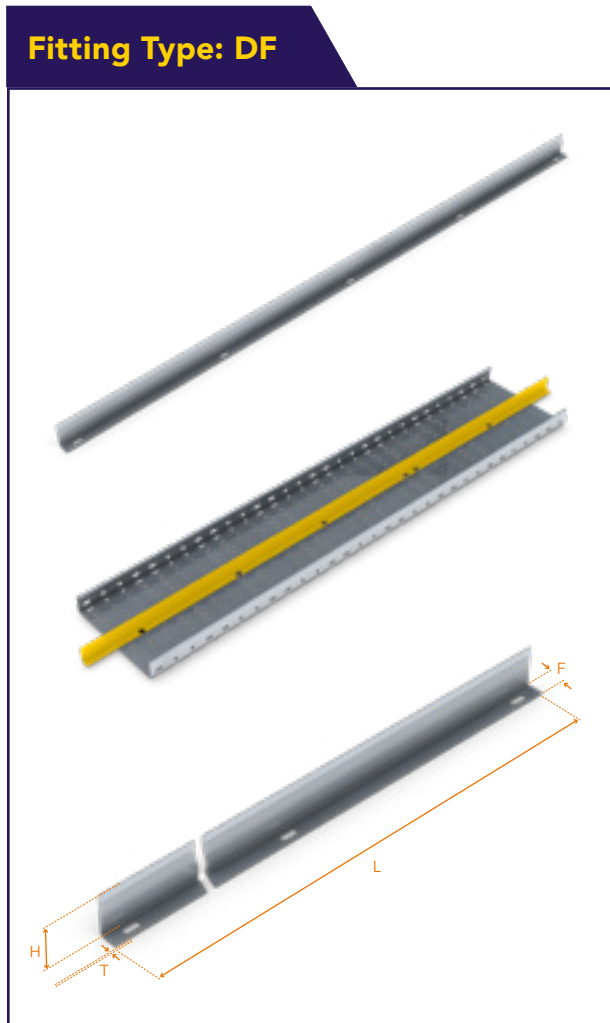


CABLE TRAY SYSTEM

Straight Tray Divider

Straight tray dividers are available for cable segregation and separation purposes along the length of the cable run. Straight tray dividers are available to suit all cable tray sections and are available in 3m lengths as standard.



Part Number	Dimensions mm			
	L	H	F	T
HR-DF- \varnothing -1.2	3000	47	20	1.2

\varnothing = Select a Finish & Material

Finishes & Materials:



Supplied with:

NO FIXING SETS

Information shown is for hot dip galvanised carbon steel in the standard gauge; other gauges are available, please consult our Sales Team for details.

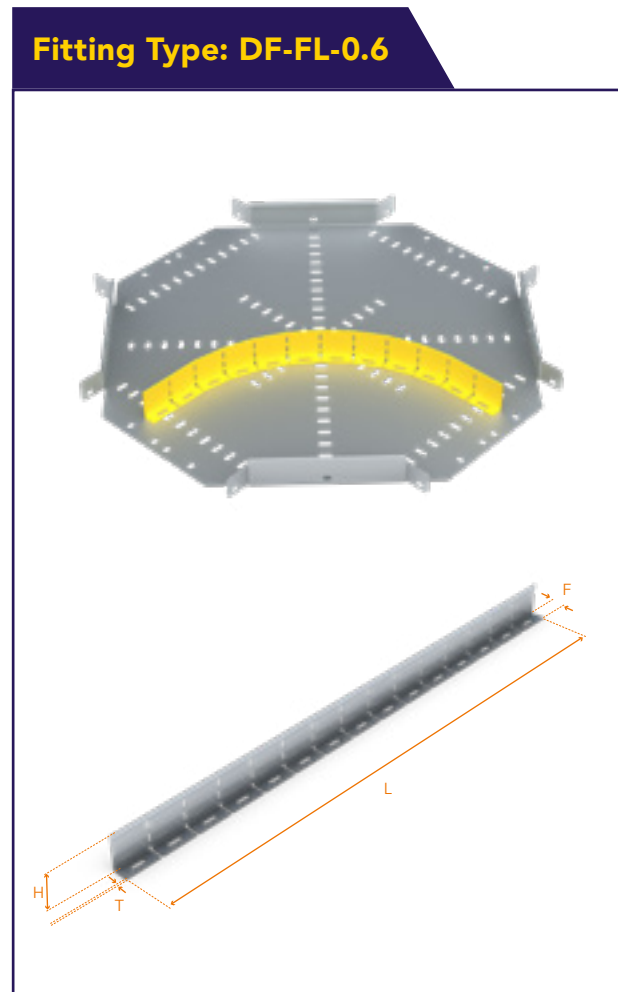
Straight tray dividers are not supplied with fixings (3 fixings required per straight divider).

Recommended fixings – M6 x 12 pan head screw and M6 nut (plus M6 flat washer for stainless steel). Consult our Sales Team for details.

Subject to order requirements, straight tray dividers may be supplied in 1.5m lengths to suit delivery & shipping needs.

Tray Fitting Divider

Tray fitting dividers are available for cable segregation and separation purposes on fittings. The tray fitting divider is supplied as a 600mm straight length and is notched to allow for forming around flat bends, tees, crosses & reducers. Tray fitting dividers are available to suit all cable tray sections.



Part Number	Dimensions mm			
	L	H	F	T
HR-DF-FL-0.6- \varnothing -1.2	600	47	20	1.2

\varnothing = Select a Finish & Material

Finishes & Materials:



Supplied with:

NO FIXING SETS

Information shown is for hot dip galvanised carbon steel in the standard gauge; other gauges are available, please consult our Sales Team for details.

Tray fitting dividers are not supplied with fixings (3 fixings required per fitting divider).

Recommended fixings – M6 x 12 pan head screw and M6 nut (plus M6 flat washer for stainless steel). Consult our Sales Team for details.