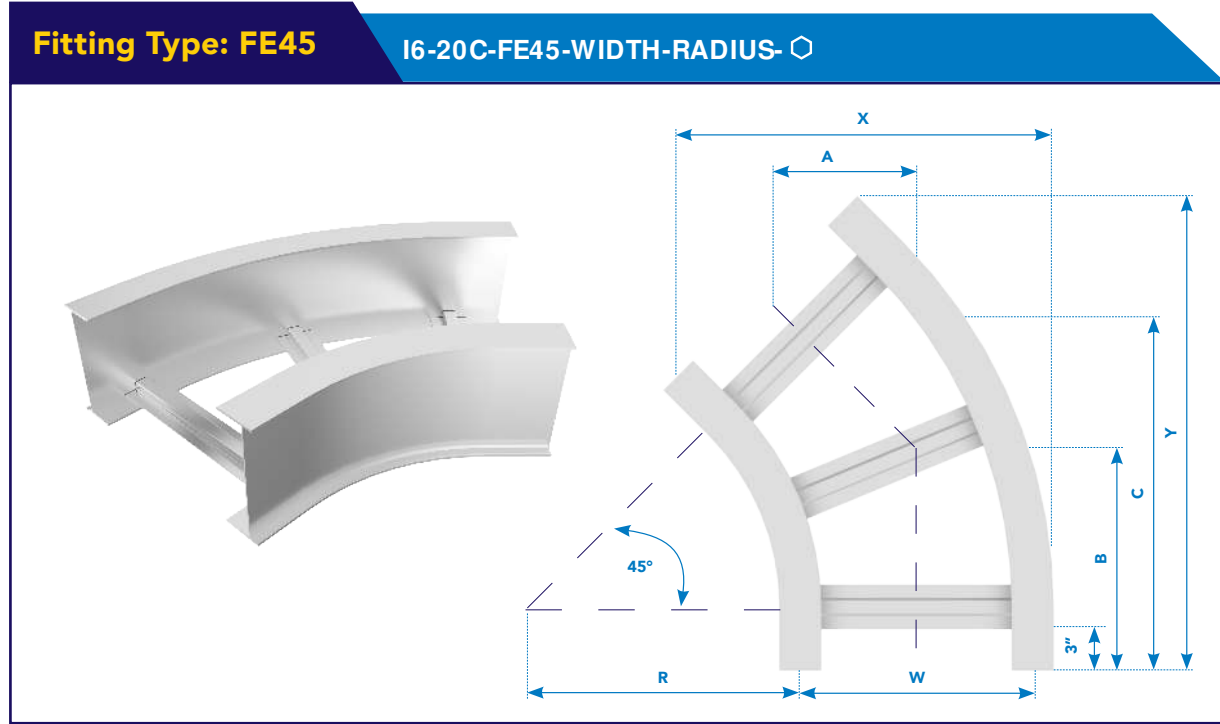


# FLAT ELBOWS

## I-Beam 45° Flat Elbow



Part Number	Dimensions (")						
	W	R	A	B	C	X	Y
I6-20C-FE45-6-12R-⊕	6	12	7	9	16	12	18
I6-20C-FE45-9-12R-⊕	9	12	7	10	17	15	20
I6-20C-FE45-12-12R-⊕	12	12	7	10	18	18	22
I6-20C-FE45-18-12R-⊕	18	12	8	12	20	24	27
I6-20C-FE45-24-12R-⊕	24	12	9	13	22	30	31
I6-20C-FE45-30-12R-⊕	30	12	10	14	24	36	35
I6-20C-FE45-36-12R-⊕	36	12	11	15	26	42	39
I6-20C-FE45-6-24R-⊕	6	24	10	14	24	16	27
I6-20C-FE45-9-24R-⊕	9	24	10	15	25	19	29
I6-20C-FE45-12-24R-⊕	12	24	11	15	26	22	31
I6-20C-FE45-18-24R-⊕	18	24	12	17	28	28	35
I6-20C-FE45-24-24R-⊕	24	24	13	18	31	34	39
I6-20C-FE45-30-24R-⊕	30	24	14	19	33	40	44
I6-20C-FE45-36-24R-⊕	36	24	14	20	35	46	48
I6-20C-FE45-6-36R-⊕	6	36	14	19	33	20	35
I6-20C-FE45-9-36R-⊕	9	36	14	20	34	23	37
I6-20C-FE45-12-36R-⊕	12	36	14	20	35	26	39
I6-20C-FE45-18-36R-⊕	18	36	15	22	37	32	44
I6-20C-FE45-24-36R-⊕	24	36	16	23	39	38	48
I6-20C-FE45-30-36R-⊕	30	36	17	24	41	44	52
I6-20C-FE45-36-36R-⊕	36	36	18	25	43	50	56

Supplied with:



Material Configurations:

