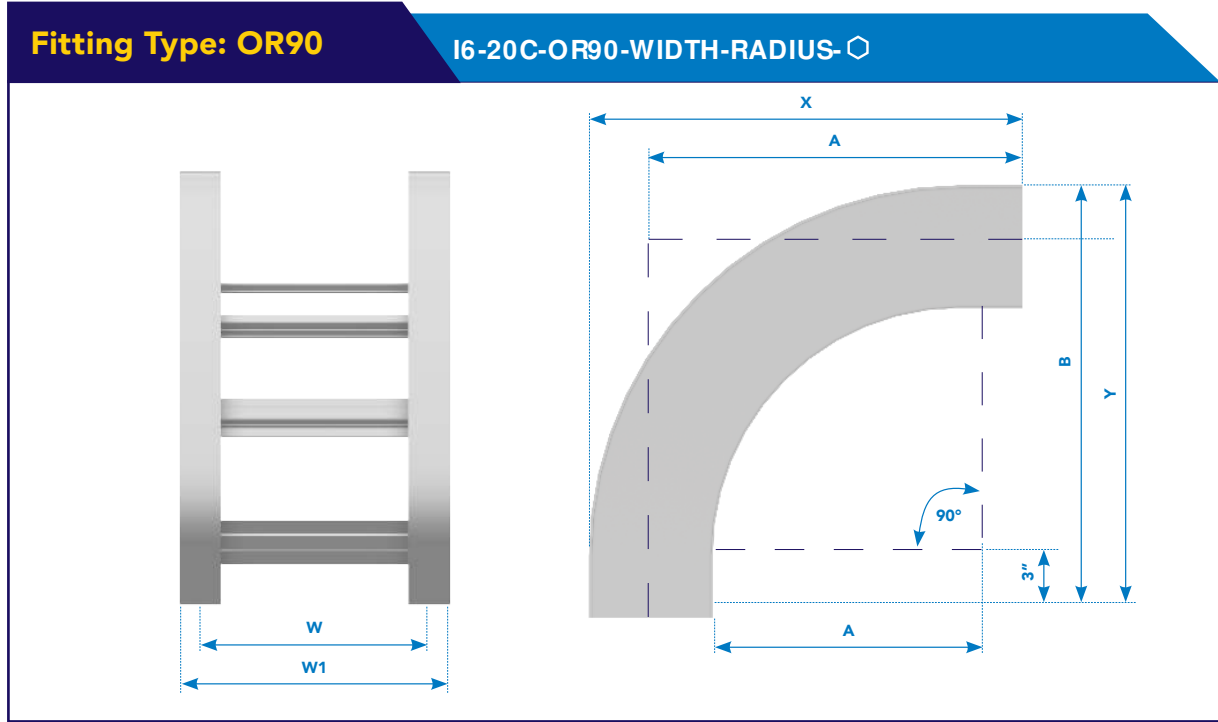


I-Beam 90° Outside Risers



Part Number	Dimensions (")						
	W	W1	R	A	B	X	Y
I6-20C-OR90-6-12R-⊕	6	7	12	18	18	21	21
I6-20C-OR90-9-12R-⊕	9	10	12	18	18	21	21
I6-20C-OR90-12-12R-⊕	12	13	12	18	18	21	21
I6-20C-OR90-18-12R-⊕	18	19	12	18	18	21	21
I6-20C-OR90-24-12R-⊕	24	25	12	18	18	21	21
I6-20C-OR90-30-12R-⊕	30	31	12	18	18	21	21
I6-20C-OR90-36-12R-⊕	36	37	12	18	18	21	21
I6-20C-OR90-6-24R-⊕	6	7	24	30	30	33	33
I6-20C-OR90-9-24R-⊕	9	10	24	30	30	33	33
I6-20C-OR90-12-24R-⊕	12	13	24	30	30	33	33
I6-20C-OR90-18-24R-⊕	18	19	24	30	30	33	33
I6-20C-OR90-24-24R-⊕	24	25	24	30	30	33	33
I6-20C-OR90-30-24R-⊕	30	31	24	30	30	33	33
I6-20C-OR90-36-24R-⊕	36	37	24	30	30	33	33
I6-20C-OR90-6-36R-⊕	6	7	36	42	42	45	45
I6-20C-OR90-9-36R-⊕	9	10	36	42	42	45	45
I6-20C-OR90-12-36R-⊕	12	13	36	42	42	45	45
I6-20C-OR90-18-36R-⊕	18	19	36	42	42	45	45
I6-20C-OR90-24-36R-⊕	24	25	36	42	42	45	45
I6-20C-OR90-30-36R-⊕	30	31	36	42	42	45	45
I6-20C-OR90-36-36R-⊕	36	37	36	42	42	45	45

Supplied with:

FIXING SETS



Material Configurations:

