



Accessories - Riser Dividers

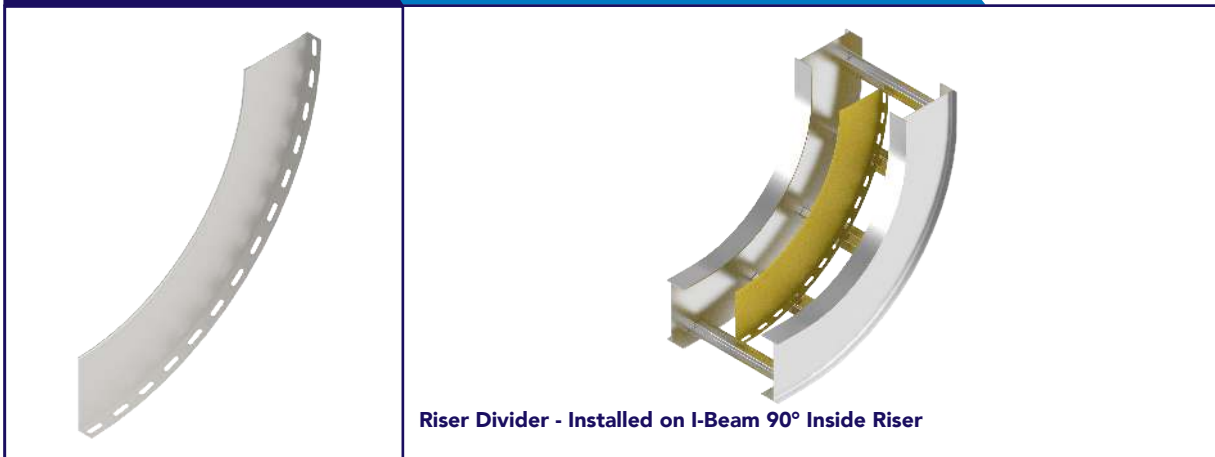
I-Beam Riser Dividers (DIV-RL) are available for cable segregation and separation purposes on risers. Riser Dividers are available for use on inside and outside risers at specific angles and radii. 90° dividers can be cut on site to suit other angles.

Each divider is furnished with B-37 self-drilling, self-tapping sheet metal screws for ease of mounting and one divider splice.

Inside Riser Divider

Accessory Type: DIV-IR

Part Number: I6-DIV-IR $\theta$ -Radius $\phi$



Part Number	Dimensions (")			
	Angle	Radius	H	F
I6-DIV-IR45-12- $\phi$	45	12	4.75	1
I6-DIV-IR90-12- $\phi$	90	12		
I6-DIV-IR45-24- $\phi$	45	24		
I6-DIV-IR90-24- $\phi$	90	24		
I6-DIV-IR45-36- $\phi$	45	36		
I6-DIV-IR90-36- $\phi$	90	36		

Supplied with:

**FIXING SETS**

Material Configurations:

