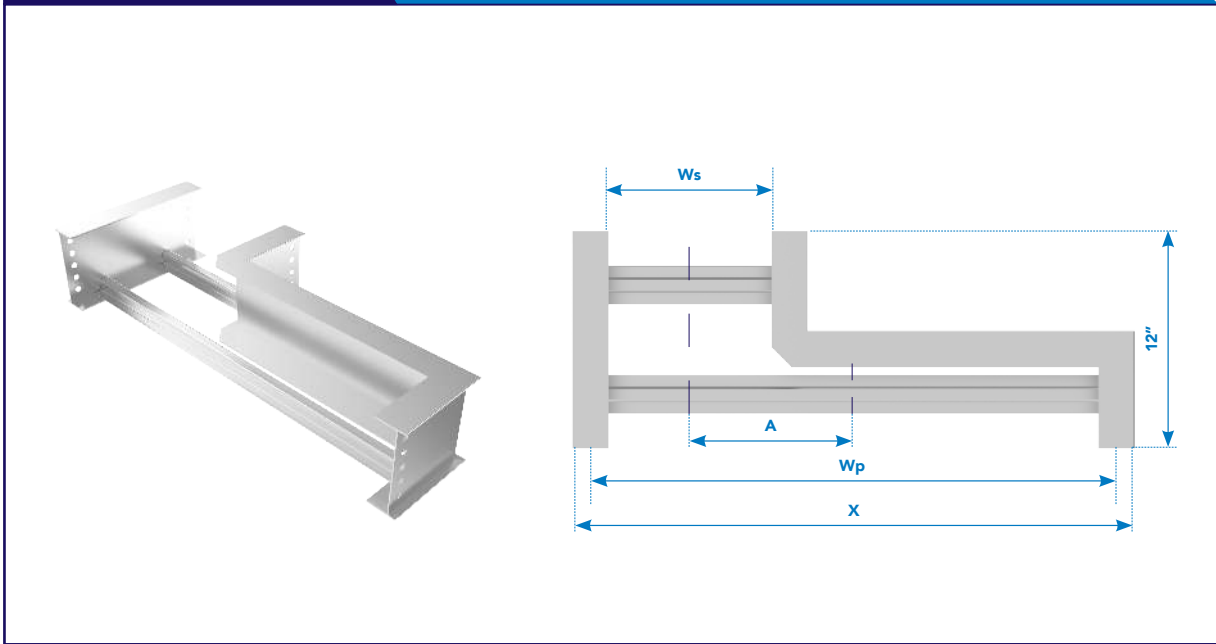


I-Beam Reducers - Left



Fitting Type: RL

I6-20C-RL-WIDTH PRIM.-WIDTH SEC.- ◻



Part Number	Dimensions (")			
	Wp	Ws	A	X
I6-20C-RL-9-6- ◻	9	6	2	10
I6-20C-RL-12-6- ◻	12	6	3	13
I6-20C-RL-12-9- ◻	12	9	2	13
I6-20C-RL-18-6- ◻	18	6	6	19
I6-20C-RL-18-9- ◻	18	9	5	19
I6-20C-RL-18-12- ◻	18	12	3	19
I6-20C-RL-24-6- ◻	24	6	9	25
I6-20C-RL-24-9- ◻	24	9	8	25
I6-20C-RL-24-12- ◻	24	12	6	25
I6-20C-RL-24-18- ◻	24	18	3	25
I6-20C-RL-30-6- ◻	30	6	12	31
I6-20C-RL-30-9- ◻	30	9	11	31
I6-20C-RL-30-12- ◻	30	12	9	31
I6-20C-RL-30-18- ◻	30	18	6	31
I6-20C-RL-30-24- ◻	30	24	3	31
I6-20C-RL-36-6- ◻	36	6	15	37
I6-20C-RL-36-9- ◻	36	9	14	37
I6-20C-RL-36-12- ◻	36	12	12	37
I6-20C-RL-36-18- ◻	36	18	9	37
I6-20C-RL-36-24- ◻	36	24	6	37
I6-20C-RL-36-30- ◻	36	30	3	37

Supplied with:



Material Configurations:

