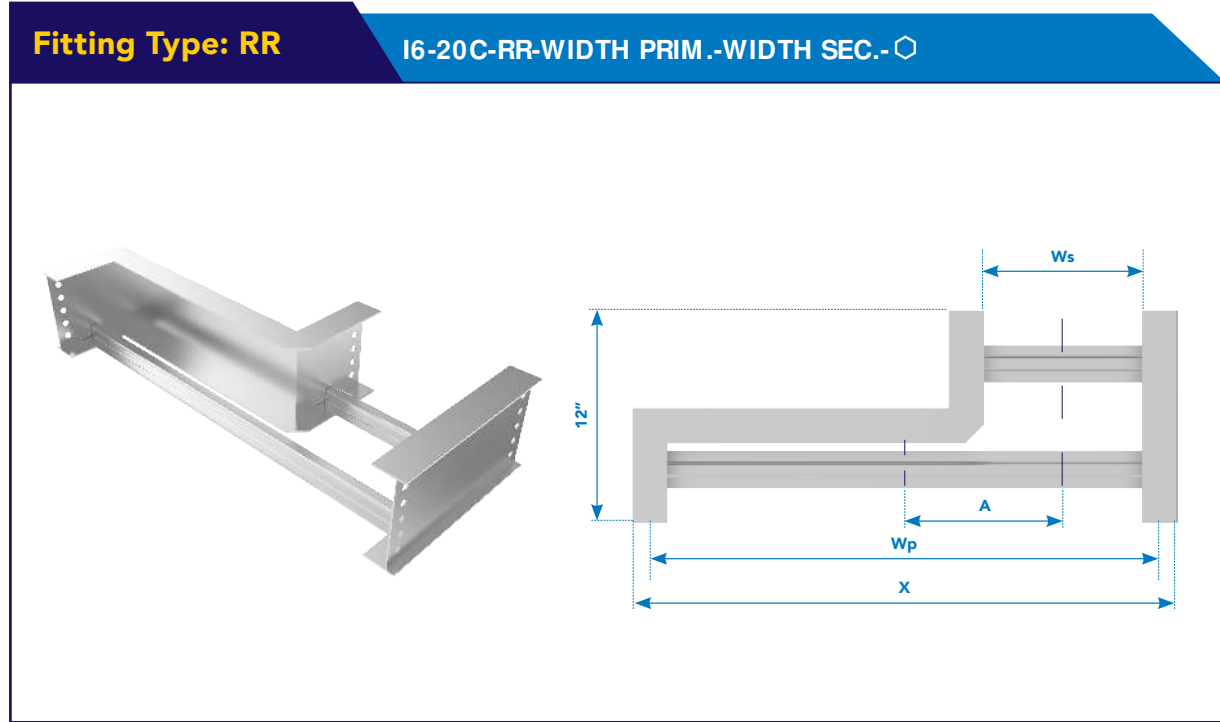


I-Beam Reducers - Right



Part Number	Dimensions (")			
	Wp	Ws	A	X
I6-20C-RR-9-6- \odot	9	6	2	10
I6-20C-RR-12-6- \odot	12	6	3	13
I6-20C-RR-12-9- \odot	12	9	2	13
I6-20C-RR-18-6- \odot	18	6	6	19
I6-20C-RR-18-9- \odot	18	9	5	19
I6-20C-RR-18-12- \odot	18	12	3	19
I6-20C-RR-24-6- \odot	24	6	9	25
I6-20C-RR-24-9- \odot	24	9	8	25
I6-20C-RR-24-12- \odot	24	12	6	25
I6-20C-RR-24-18- \odot	24	18	3	25
I6-20C-RR-30-6- \odot	30	6	12	31
I6-20C-RR-30-9- \odot	30	9	11	31
I6-20C-RR-30-12- \odot	30	12	9	31
I6-20C-RR-30-18- \odot	30	18	6	31
I6-20C-RR-30-24- \odot	30	24	3	31
I6-20C-RR-36-6- \odot	36	6	15	37
I6-20C-RR-36-9- \odot	36	9	14	37
I6-20C-RR-36-12- \odot	36	12	12	37
I6-20C-RR-36-18- \odot	36	18	9	37
I6-20C-RR-36-24- \odot	36	24	6	37
I6-20C-RR-36-30- \odot	36	30	3	37

Supplied with:



Material Configurations:

