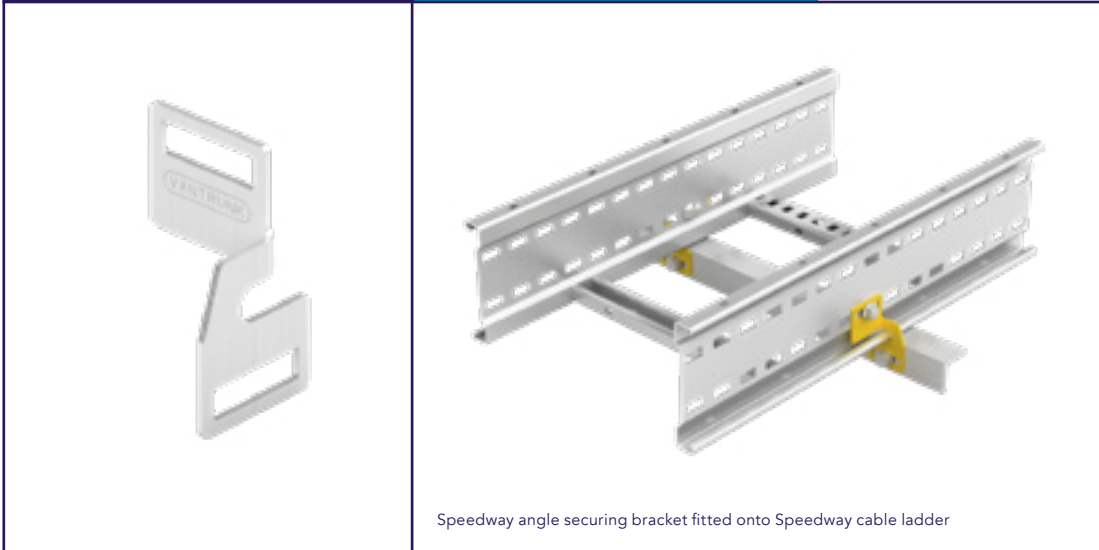


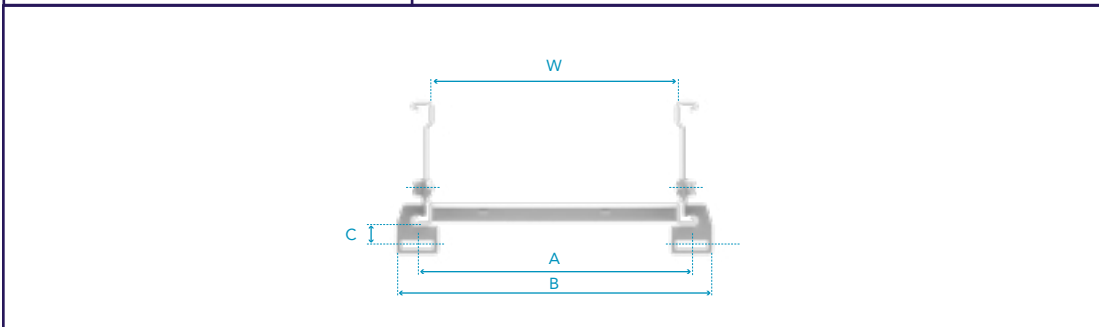
Angle Securing Bracket

Accessory Type: ASB

Part Number: SW-ASB- \circ



Speedway angle securing bracket fitted onto Speedway cable ladder



Dimensions (mm)		
A	B	C
W+36	W+86	24

W = Ladder Width

Finishes & Materials:



Supplied with:



Part Number	Thread Length	Description
M10x25-HS- \circ	25	M10 x 25 Hex Head Bolt
M10x30-HS- \circ	30	M10 x 30 Hex Head Bolt
M10x35-HS- \circ	35	M10 x 35 Hex Head Bolt
M10x40-HS- \circ	40	M10 x 40 Hex Head Bolt

\circ = Select a Finish & Material

The minimum thread length for the M10 fixing bolt is 22mm plus the thickness of the supporting steelwork. Refer to the table above for details of the fixing bolts.