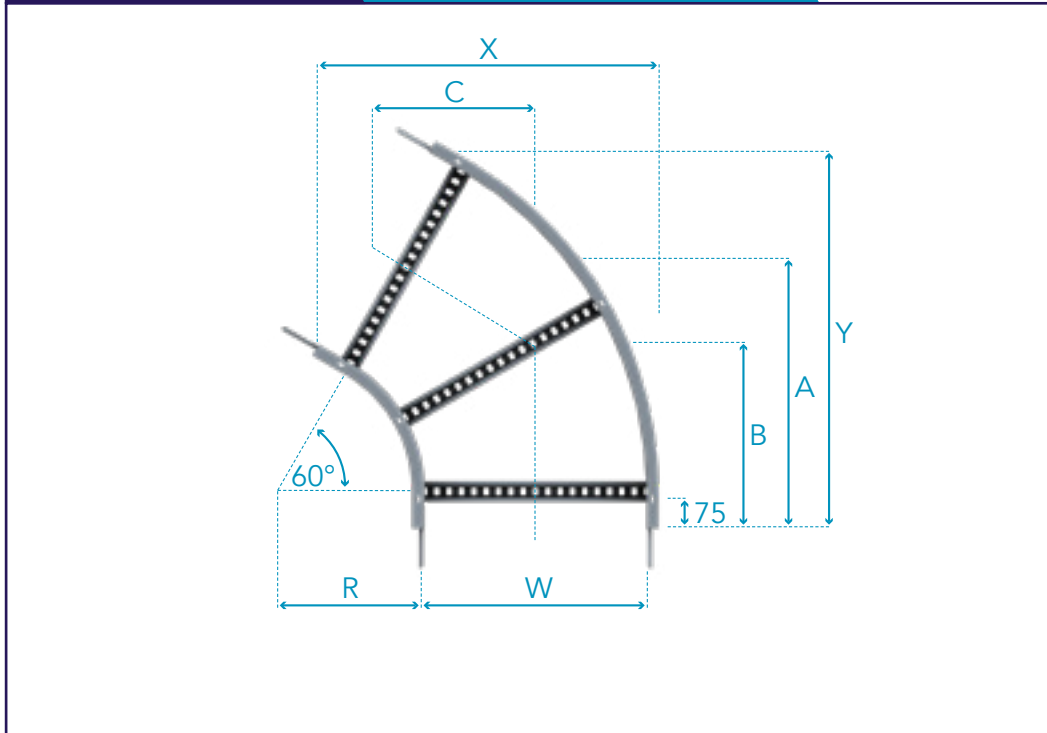


Speedway 60° Flat Elbows

Fitting Type: FE60

SW△-FE60-WIDTH-RADIUS-○



Part Number	No of Rungs	Dimensions (mm)							Weight (kg)		
		R	W	A	B	C	X	Y	SW4	SW5	SW6
SW△-FE60-150-300R-○	2	300	150	437	292	252	395	502	3.12	3.27	4.98
SW△-FE60-300-300R-○	2		300	502	335	290	545	632	4.15	4.34	6.46
SW△-FE60-450-300R-○	3		450	567	378	327	695	762	5.02	5.23	7.73
SW△-FE60-600-300R-○	3		600	632	421	365	845	892	5.89	6.11	8.97
SW△-FE60-750-300R-○	3		750	697	465	402	995	1022	9.79	10.06	12.45
SW△-FE60-900-300R-○	5		900	762	508	440	1145	1152	11.27	11.56	14.15
SW△-FE60-150-600R-○	3	600	150	697	465	402	545	762	4.74	5.02	7.58
SW△-FE60-300-600R-○	3		300	762	508	440	695	892	5.61	5.9	8.82
SW△-FE60-450-600R-○	3		450	827	551	477	845	1022	7.46	7.8	11.41
SW△-FE60-600-600R-○	5		600	892	595	515	995	1152	8.66	9.02	13.11
SW△-FE60-750-600R-○	5		750	957	638	552	1145	1282	11.23	11.63	14.81
SW△-FE60-900-600R-○	5		900	1022	681	590	1295	1412	12.71	13.14	10.01



Finishes & Materials:



Supplied with:

FIXING SETS x16

Not Required:



△ = Select a System Type ○ = Select a Finish & Material

Weights shown are for standard hot dip galvanised finish only, for Stainless Steel and Silicon Rich Steel weight conversion factors please refer to the Engineering Data Section of our catalogue (Page 213).