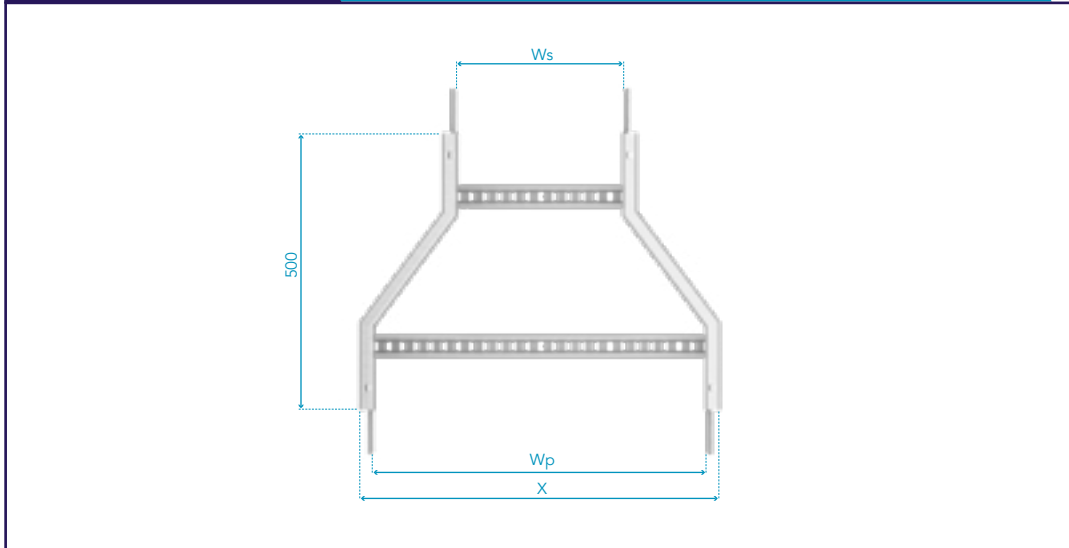


Reducer Straight

Fitting Type: RS

SW Δ -RS-WIDTH PRIMARY-WIDTH SECONDARY-O



| Part Number | Dimensions (mm) | | | Weight (kg) | | |
|---------------------------|-----------------|-----|-----|-------------|------|------|
| | Wp | Ws | X | SW4 | SW5 | SW6 |
| SW Δ -RS-300-150-O | 300 | | 350 | 3.14 | 3.28 | 4.92 |
| SW Δ -RS-450-150-O | 450 | | 500 | 3.47 | 3.62 | 5.44 |
| SW Δ -RS-600-150-O | 600 | 150 | 650 | 3.88 | 4.06 | 6.04 |
| SW Δ -RS-750-150-O | 750 | | 800 | 4.64 | 4.84 | 6.7 |
| SW Δ -RS-900-150-O | 900 | | 950 | 5.17 | 5.39 | 7.41 |
| SW Δ -RS-450-300-O | 450 | | 500 | 3.47 | 3.61 | 5.37 |
| SW Δ -RS-600-300-O | 600 | 300 | 650 | 3.8 | 3.95 | 5.88 |
| SW Δ -RS-750-300-O | 750 | | 800 | 4.59 | 4.77 | 6.48 |
| SW Δ -RS-900-300-O | 900 | | 950 | 5.08 | 5.28 | 7.14 |
| SW Δ -RS-600-450-O | 600 | | 650 | 3.81 | 3.95 | 5.82 |
| SW Δ -RS-750-450-O | 750 | 450 | 800 | 4.58 | 4.73 | 6.33 |
| SW Δ -RS-900-450-O | 900 | | 950 | 5.04 | 5.22 | 6.93 |
| SW Δ -RS-750-600-O | 750 | 600 | 800 | 4.64 | 4.78 | 6.26 |
| SW Δ -RS-900-600-O | 900 | | 950 | 5.02 | 5.17 | 6.77 |
| SW Δ -RS-900-750-O | 900 | 750 | 950 | 5.08 | 5.22 | 6.7 |

Δ = Select a System Type O = Select a Finish & Material

Finishes & Materials:



Supplied with:

FIXING SETS x16

VANTRUNK
SPEEDLOK
QUICKFIT CABLE LADDER

Weights shown are for standard hot dip galvanised finish only, for Stainless Steel and Silicon Rich Steel weight conversion factors please refer to the Engineering Data Section of our catalogue (Page 213).