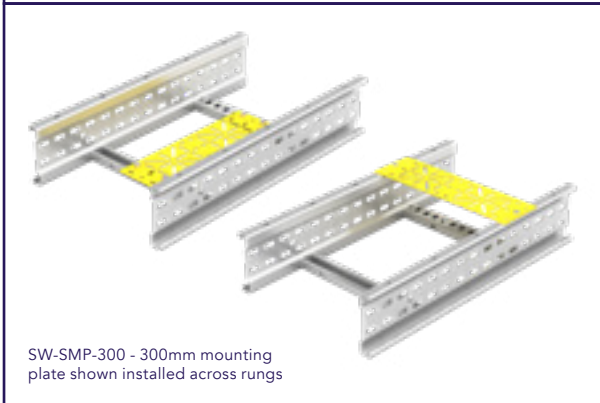
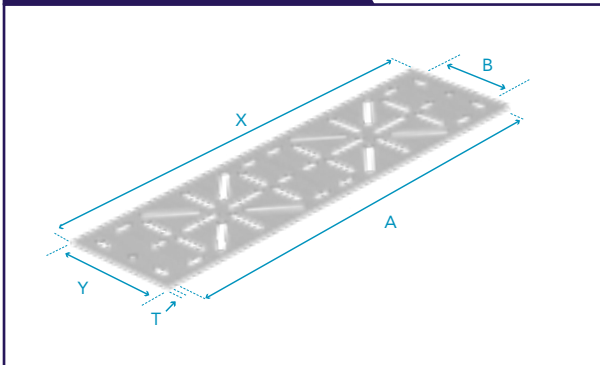


Speedway Mounting Plate

The Speedway Mounting Plate (SMP) provides a means of attaching junction boxes and other items to the speedway Cable Ladder System. Mounting plates are available to suit all Speedway Cable Ladder widths up to & including 900mm for attachment across the face of the cable ladder. The 300mm Speedway Mounting Plate (SW-SMP-300-#) can also be attached between rungs on all widths of Speedway Cable Ladder and can be mounted either within the cable space or below the cable ladder.

Alternative mounting plate designs can be made to order. Contact our Sales Team for more details.

Accessory Type: SMP



Part Number	Dimensions (mm)					
	Ladder Width	X	Y	A	B	T
SW-SMP-150-○	150	200	100	175	60	2
SW-SMP-300-○	300	350		325		
SW-SMP-450-○	450	500		475		
SW-SMP-600-○	600	650		625		
SW-SMP-750-○	750	800		775		
SW-SMP-900-○	900	950		925		

○ = Select a Finish & Material

Finishes & Materials:



Supplied with:



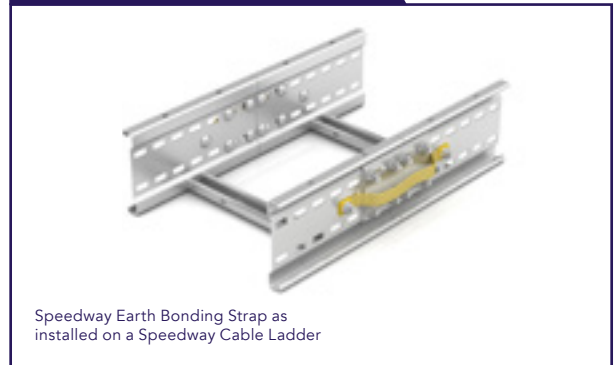
Earth Bonding Strap

The Speedway Earth Bonding Strap (EBS-01) is designed for use in installations where an additional means of earthing or electrical bonding is specified.

The Speedway Earth Bonding Strap comprises of a 16mm² tinned copper braid crimped into M10 tinned copper end connectors.

The Speedway Earth Bonding Strap is common to Speedway SW4, SW5, & SW6.

Accessory Type: EBS-01



Supplied with:

