

Tray Insulating Assemblies

A comprehensive range of nylon insulating assemblies are available to suit those applications where there is a requirement to prevent bi-metallic corrosion occurring in either the Vantrunk cable tray system or the support structure. A typical example is a stainless steel Vantrunk cable tray system mounted on galvanised or painted steel supports.

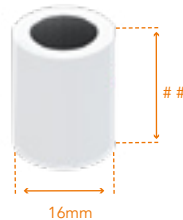
The insulating assembly is based on nylon base pads, nylon bushes and nylon washers which when used totally encapsulate the fixings and provide electrical separation between the Vantrunk cable tray system and the supporting structure.

M10 Nylon Bush

Part Number: BUSH-16x##-NY

Nylon Bush Length '##' = Steel Thickness (mm)

The length of the nylon bush is equal to the thickness of the supporting steelwork (##). The M10 nylon bush requires a 17mm diameter hole in the supporting steelwork.

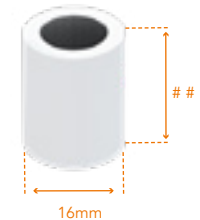


M6 Nylon Bush

Part Number: BUSH-6x##-NY

Nylon Bush Length '##' = Steel Thickness (mm)

The length of the nylon bush is equal to the thickness of the supporting steelwork (##). The M6 nylon bush requires a minimal 9mm diameter hole in the supporting steelwork.



M10 Fixing Bolt

Part Number: M10x□-HS-SS-A4

Minimum Thread Length '□' = 22 + ##

The minimum thread length for the fixing bolt is 22mm plus the thickness of the supporting steelwork. Refer to the table below for details of the fixing bolts.



M6 Fixing Bolt

Part Number: M6x□-PHS-SS-A4

Minimum Thread Length '□' = 22 + ##

The minimum thread length for the fixing bolt is 22mm plus the thickness of the supporting steelwork. Refer to the table below for details of the fixing bolts.



SSM10x□HS Fixing Bolt Details

Part Number	Thread Length □	Description
M10x25-HS-SS-A4	25mm	M10 x 25 Hex Head Set Screw Stainless Steel
M10x30-HS-SS-A4	30mm	M10 x 30 Hex Head Set Screw Stainless Steel
M10x35-HS-SS-A4	35mm	M10 x 35 Hex Head Set Screw Stainless Steel
M10x40-HS-SS-A4	40mm	M10 x 40 Hex Head Set Screw Stainless Steel

M6x□-PHS-SS-A4 Fixing Bolt Details

Part Number	Thread Length □	Description
M6x25-PHS-SS-A4	25mm	M6 x 25 Pan Head Screw Stainless Steel
M6x30-PHS-SS-A4	30mm	M6 x 30 Pan Head Screw Stainless Steel
M6x35-PHS-SS-A4	35mm	M6 x 35 Pan Head Screw Stainless Steel
M6x40-PHS-SS-A4	40mm	M6 x 40 Pan Head Screw Stainless Steel

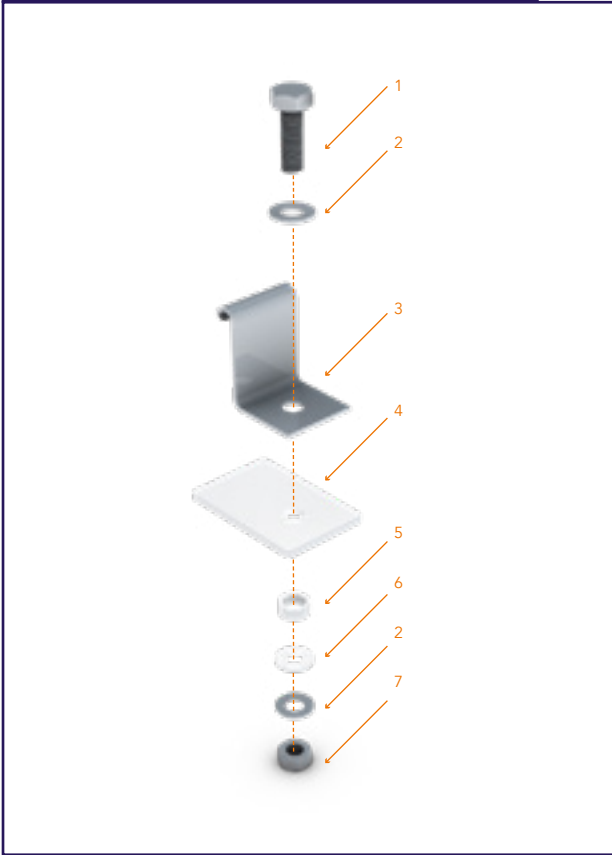
□ - Fixing Bolt Tread Length (See table opposite)
- Thickness of supporting steelwork in mm.

For Example:

If the tray is to be mounted to the steelwork without a HDB, order: TR-SS-INS12. If the thickness of the Steelwork = 12mm. The length of the Nylon Bush is also 12mm = BUSH-6x12-NY. This means that the Minimum Thread Length of the Fixing Bolt = 22 + 12 = 34mm. Rounding this figure up to the nearest standard bolt length of 35mm, the supplied bolt = M6x35-PHS-SS-A4

CABLE TRAY SYSTEM

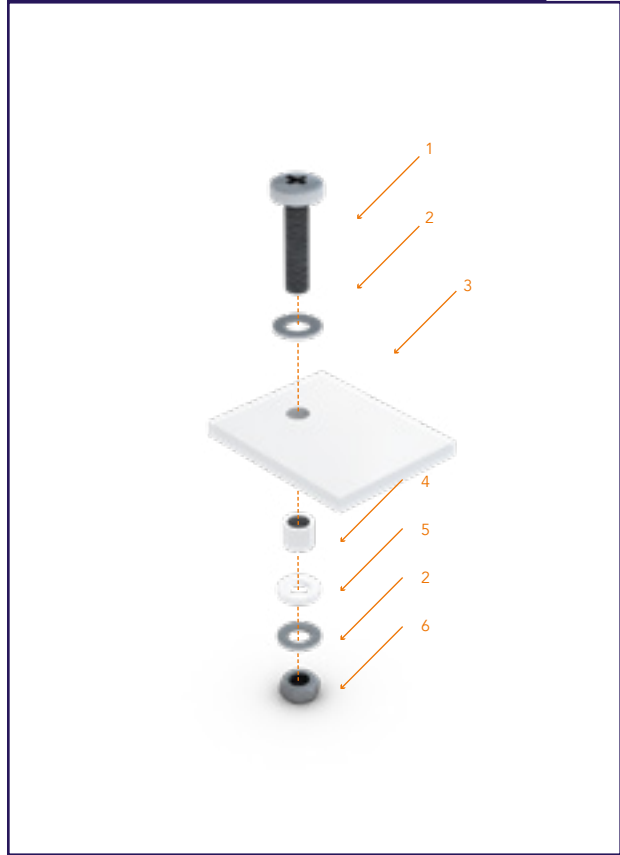
Insulating Assembly Components for Hold Down Bracket



Part Number	Item	Description
M10□-HS-SS-A4	1	M10 Hex Head Set Screw Stainless Steel - Length = □
M10-FW-SS-A4	2	M10 Flat Washer Stainless Steel
HR-HDB-SS	3	Heavy Duty Cable Tray Hold Down Bracket, Stainless Steel
PAD-75x50x4-NY	4	Nylon Pad (75 x 50 x 4mm)
BUSH-16x##-NY	5	Nylon Bush - Length = ##
M10-FW-NY	6	M10 Flat Washer Nylon
M6-HN-SS-A4	7	M10 Hex Nut Stainless Steel

□ - Fixing Bolt Tread Length (See table opposite)
- Thickness of supporting steelwork in mm.

Insulating Assembly Components for Tray only insulation



Part Number	Item	Description
M6□-PHS-SS-A4	1	M6 Pan Head Screw Stainless Steel - Length = □
M6-FW-SS-A4	2	M6 Flat Washer Stainless Steel
PAD-50x40x4-NY	3	Nylon Pad (50 x 40 x 4mm)
BUSH-6x##-NY	4	Nylon Bush - Length = ##
M6-FW-NY	5	M6 Flat Washer Nylon
M6-HN-SS-A4	6	M6 Hex Nut Stainless Steel

□ - Fixing Bolt Tread Length (See table opposite)
- Thickness of supporting steelwork in mm.