

### Ladder Trapeze Hanger

The Speedway Ladder Trapeze Hanger (LTH) provides a dedicated and effective means of installing Speedway cable ladder using a trapeze support arrangement.

Each Ladder Trapeze Hanger has fixing slots to accept the Speedway External Flange Clamps (SW-EFC-#), Adaptable Fixing Brackets (SW-AFB-#) and Hold Down Brackets (SW-HDB-#). The slot pattern allows the Adaptable Fixing Bracket to be fitted either internally or externally on the cable ladder.

The Ladder Trapeze Hanger has 25 x 13.5 end slots to suit the use of M10 or M12 threaded rod hangers. M10 threaded rod hangers can also be utilised for securing the Speedway cable ladder using Speedway External Flange Clamps (SW-EFC), Adaptable Fixing Brackets (SW-AFB) and Hold Down Brackets (SW-HDB). The loading table below gives the recommended maximum load for each size of ladder trapeze hanger when used with Speedway cable ladder (which should be uniformly loaded to apply two equal point loads onto the ladder trapeze hanger).

#### Speedway Ladder Trapeze Hanger - Safe Working Loads

Part Number	Ladder Width mm	Ladder Load kg
SW-LTH-150-○	150	1193
SW-LTH-300-○	300	
SW-LTH-450-○	450	
SW-LTH-600-○	600	
SW-LTH-750-○	750	
SW-LTH-900-○	900	
SW-LTH-1050-○	1050	

Finishes & Materials:



○ = Select a Finish & Material

Non-standard Ladder Trapeze Hangers and alternative fixing slot configurations are available – consult our Design Team for further information. Installation dimensions are given in the following table.

#### Speedway Ladder Trapeze Hanger - Installation Details

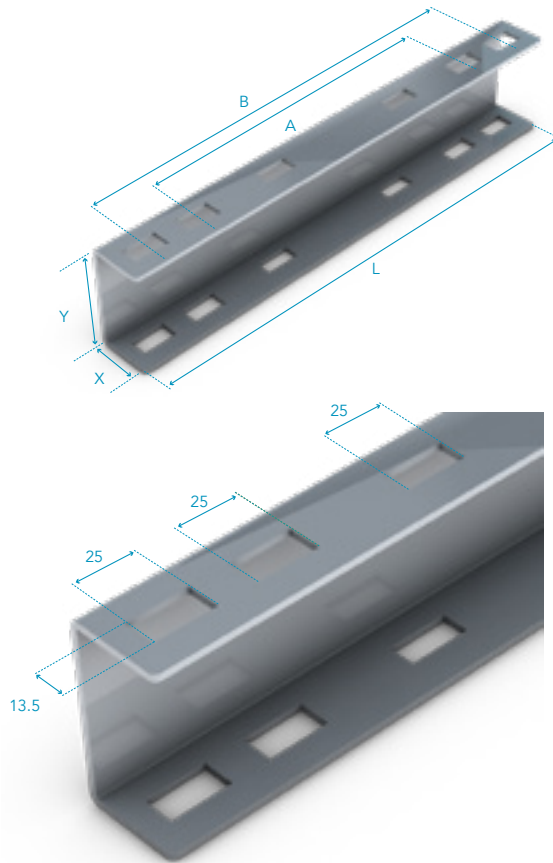
Part Number	Ladder Width mm	Maximum Load kg				
		L	X	Y	A	B
SW-LTH-150-○	150	370	40	75	243	325
SW-LTH-300-○	300	520	40	75	393	475
SW-LTH-450-○	450	670	40	75	543	625
SW-LTH-600-○	600	820	40	75	693	775
SW-LTH-750-○	750	970	40	75	843	925
SW-LTH-900-○	900	1120	40	75	993	1075
SW-LTH-1050-○	1050	1270	40	75	1143	1225

○ = Select a Finish & Material

Finishes & Materials:



Speedway Ladder Trapeze Hanger (SW/LTH)



Ladder trapeze hanger suspended on M10 threaded rod. Adaptable fixing bracket (SW-AFB) secured using same threaded rod



Ladder trapeze hanger suspended on M12 threaded rod. Adaptable fixing bracket (SW-AFB) secured using M10 fixings

